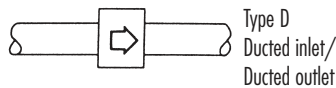
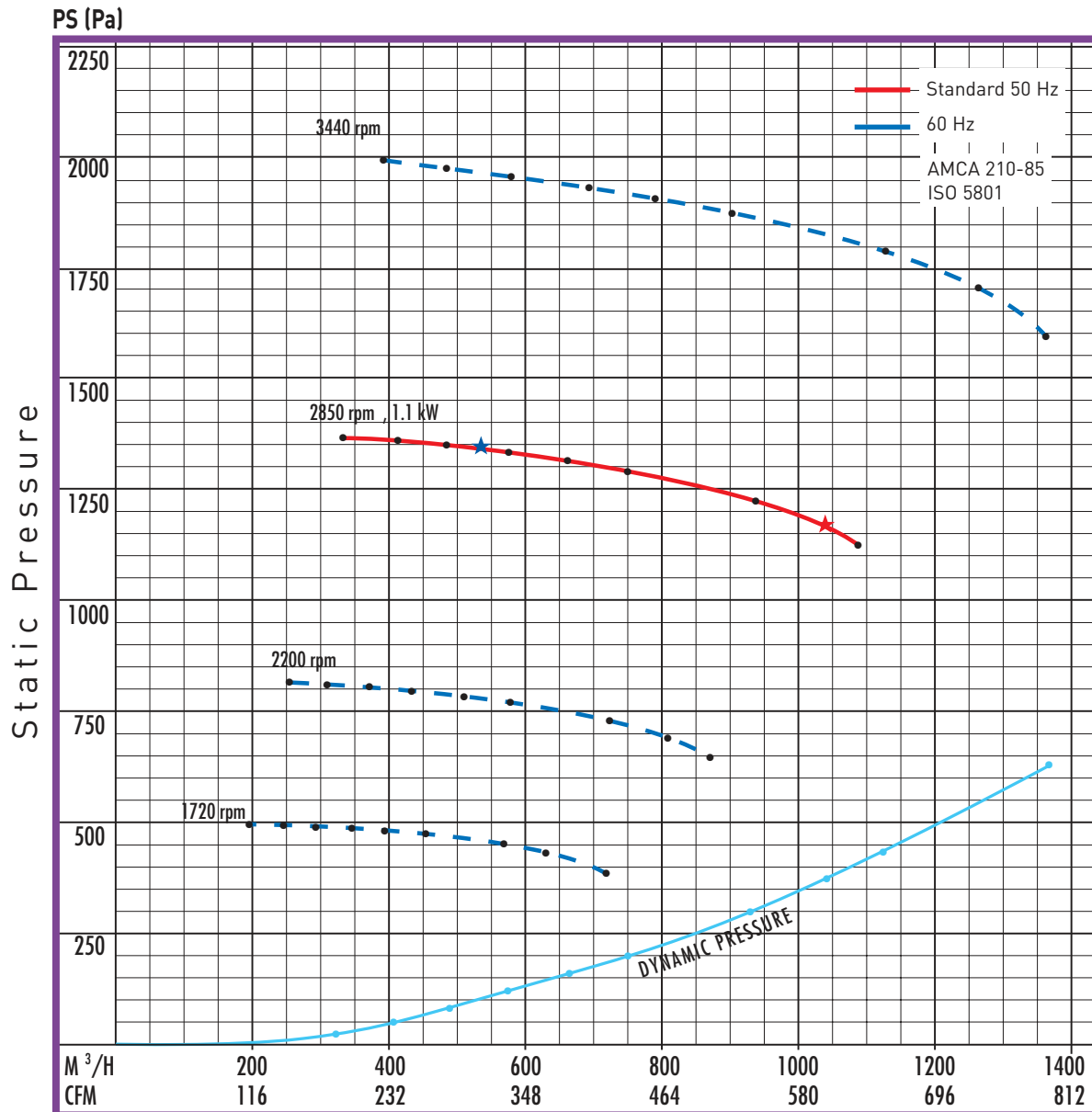
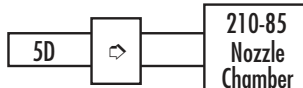


STORM 14



Housing and motor noise level when fan is running near maximum output

n (T/min) R.P.M.	Global dB	Global dB (A)
1450	65,4	61,1
1720	69,1	69,1
2850	82,1	78
3300	86,7	81,8



Noise level type B.
Visit our website for details.

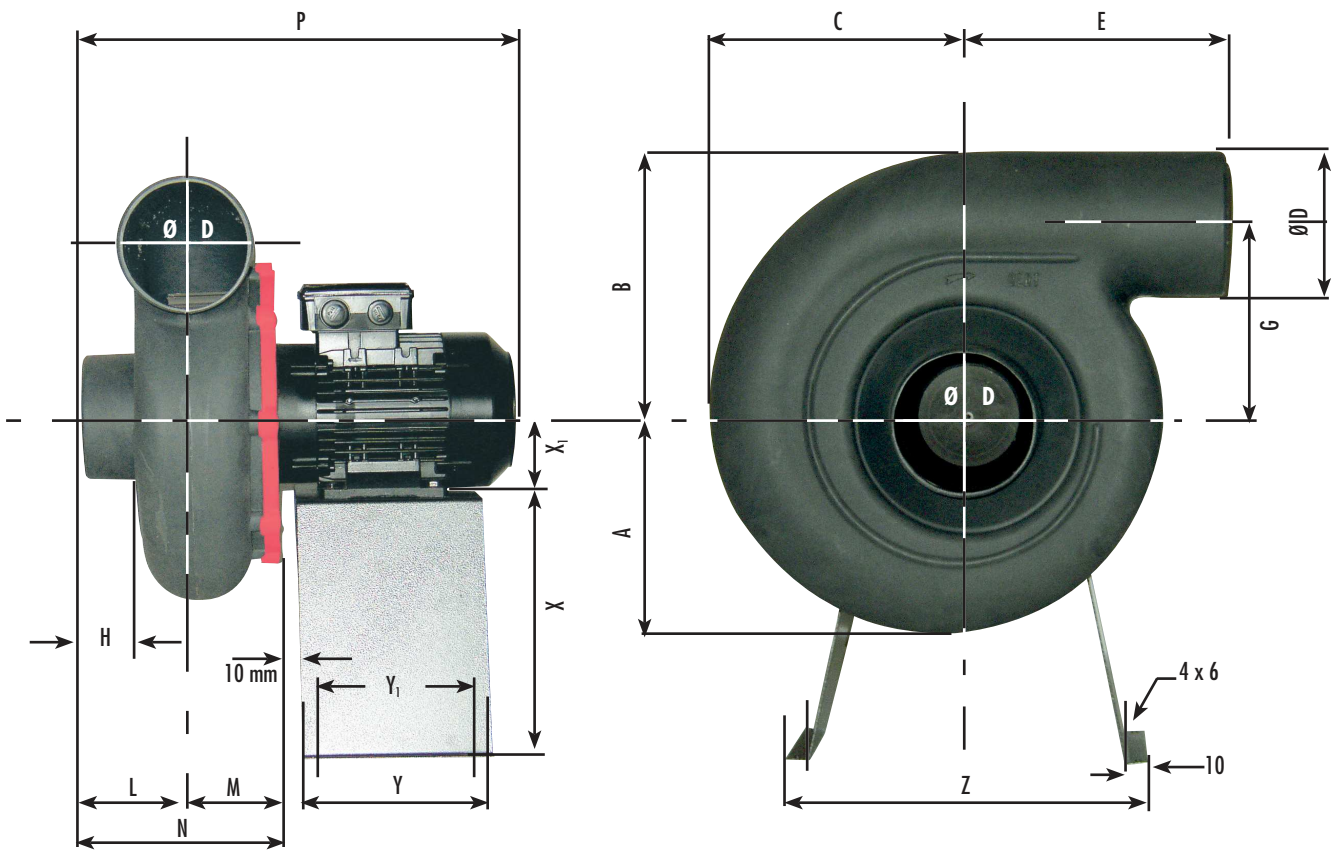
R.P.M.	★ dB(A) ★	dB
1450	72,5 75	87,2 87,3
1720	76,4 78,8	93,1 90,8
2850	88,1 89,3	109,3 105,8
3300	91,3 93,1	112,4 110,5

(ISO 13347)

Noise level in octaves (dB)

Frequency Hz	1450 R.P.M.	1720 R.P.M.	2870 R.P.M.	3300 R.P.M.
50	81,5	86	104,7	107,9
100	76,9	80,1	90,2	94,2
250	74,7	70,5	87,3	87
500	69,1	72,9	84,1	79,3
1000	61,4	67,5	80	83,2
2500	54,6	59	71,8	76,9
5000	50	54,3	69,3	73,2
10000	48,3	52,6	64,7	68,5

STORM 14



LG POSITION ONLY

Available
in **ATEX** version

Dimensional data (mm). Metal stand does not come standard with fan (see accessories pricing).
The motor frame size may vary upon type of motor used.

A	B	C	Ø D	E	G	H	L	M	N	P	Y	Y ₁	Z	X	X ₁
188	232	227	125	218	170	55	110	83	193	433	180	160	340	240	80

Handings with IP55 motor type are viewed from inlet side - 45 degree adjustable

