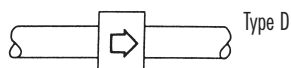
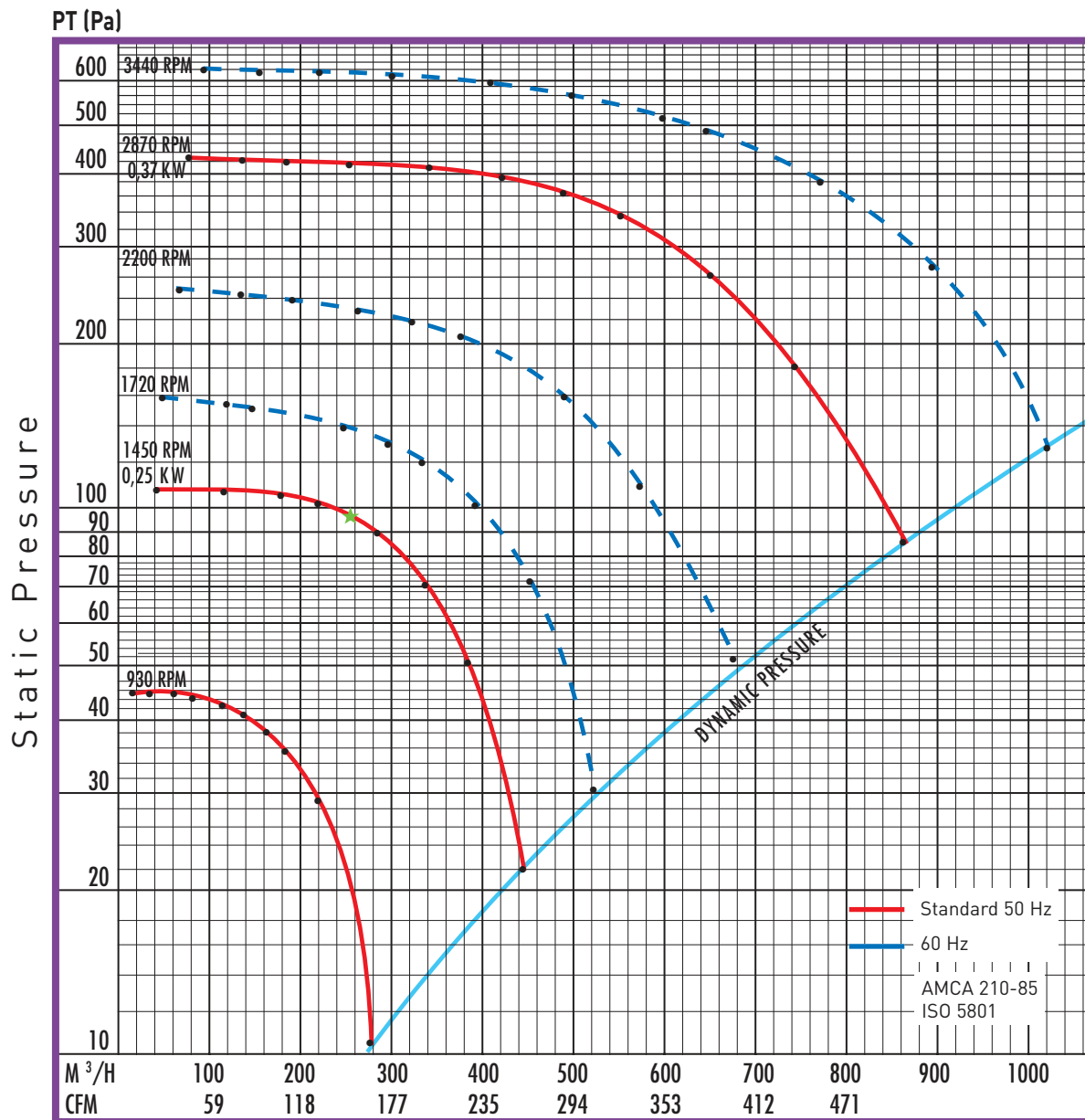
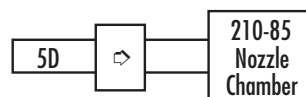


# SEAT 15



Ducted inlet/Ducted outlet  
Casing noise

R.P.M.	dB (A)
1435	49
2870	63



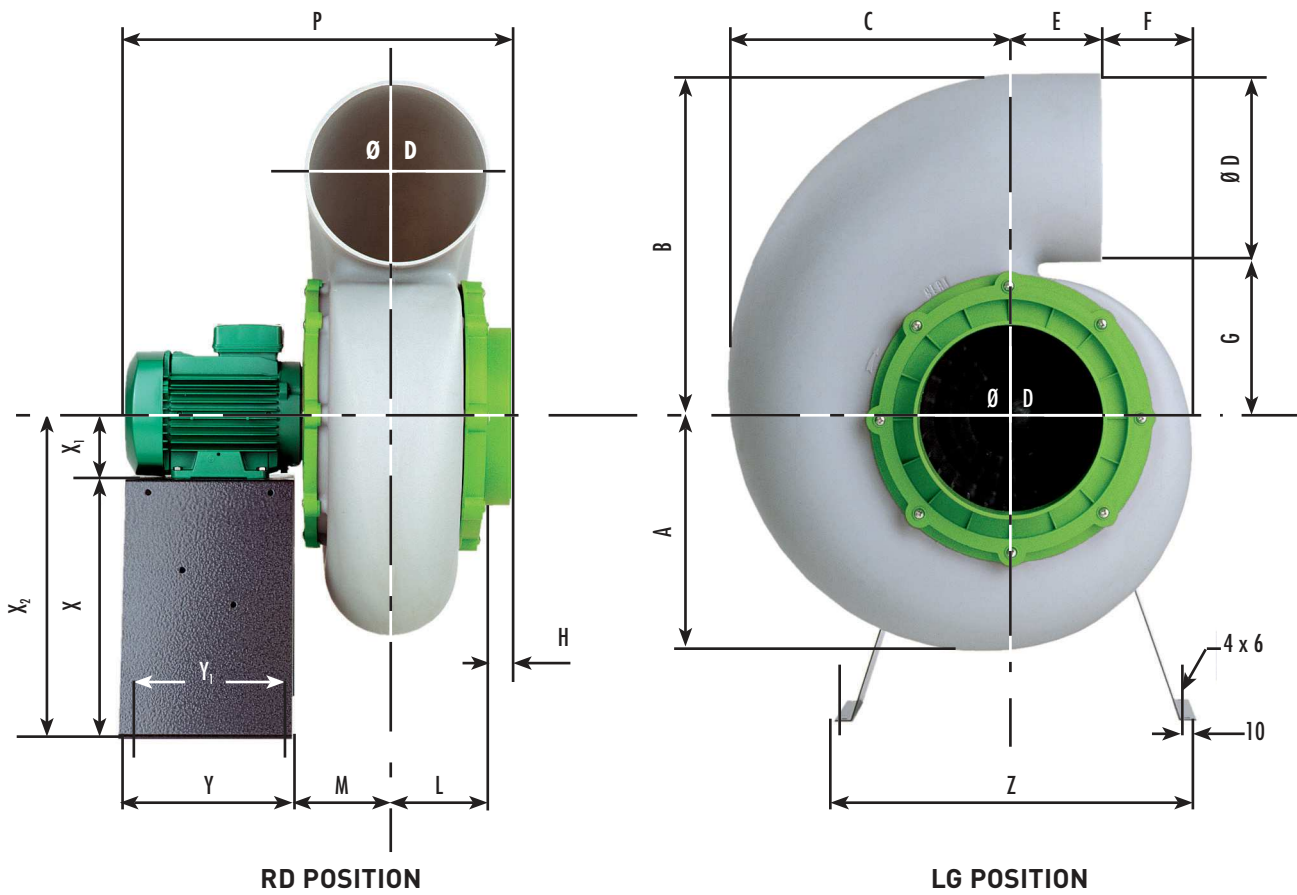
Type B  
Ducted outlet

R.P.M.	dB(A)	dB
★ 1450	52	57
2870	70	72

Noise level in octaves (dB)

Freq. Octave Hz	1450 R.P.M. ★ 250 m³/h
125	55,3
250	51,7
500	52,1
1000	49,8
2000	41,8
4000	36,9

Noise ratings in accordance with ISO 5801.  
Visit our website for details.



Available  
in **ATEX** version

Dimensional data (mm) - Metal stand does not come standard with fan  
(see accessories pricing)

A	B	C	Ø D	E	F	G	H	L	M	P	Y	Y <sub>1</sub>	Z	X	X <sub>1</sub>	X <sub>2</sub>
170	240	203	125	100	32	115	30	70	80	360	180	160	340	240	71	311

WARNING : for an enclosed pedestal mounting, X<sub>2</sub> = 370 mm.

Handings are viewed from inlet side - 45 degree adjustable

