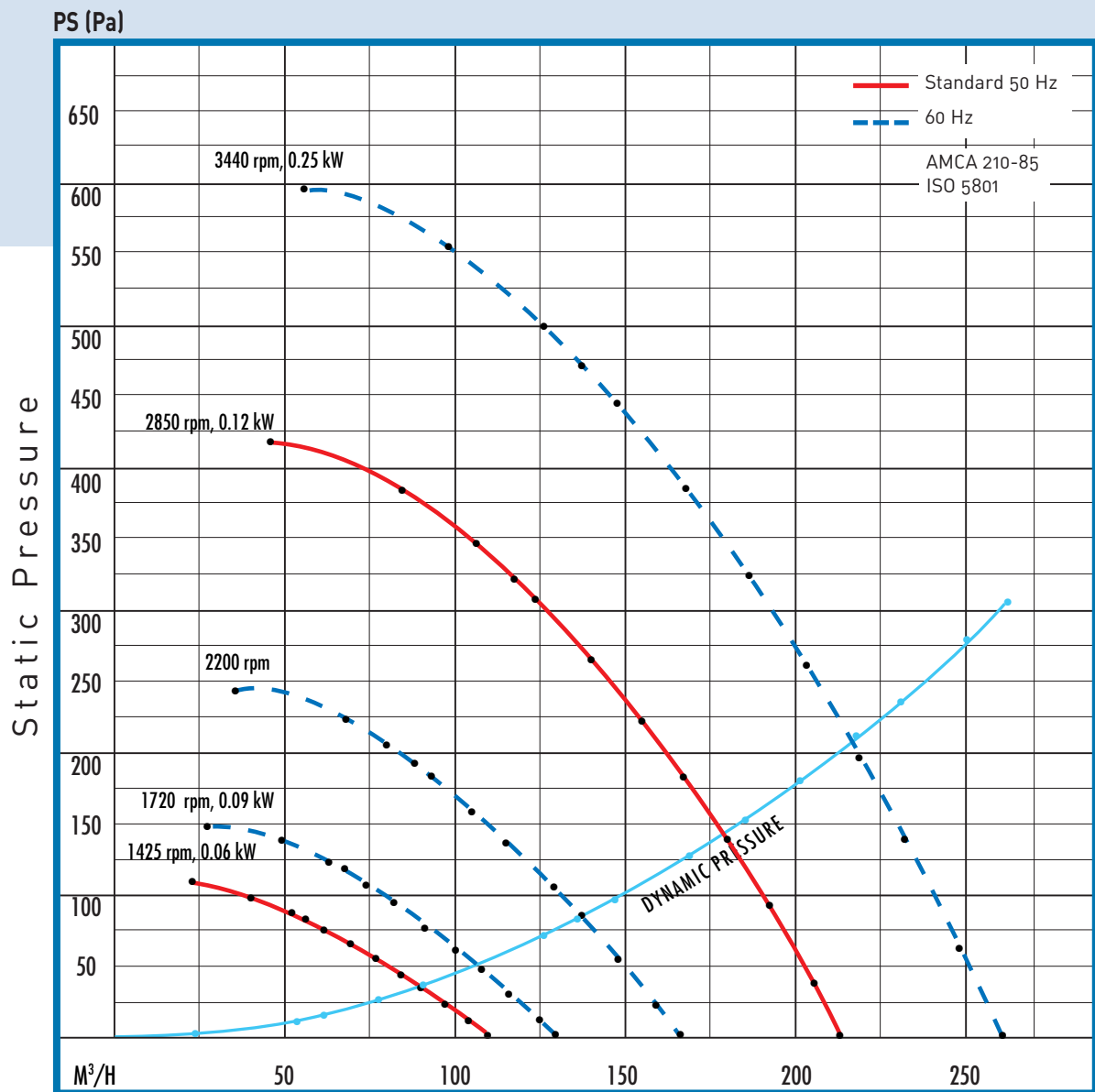
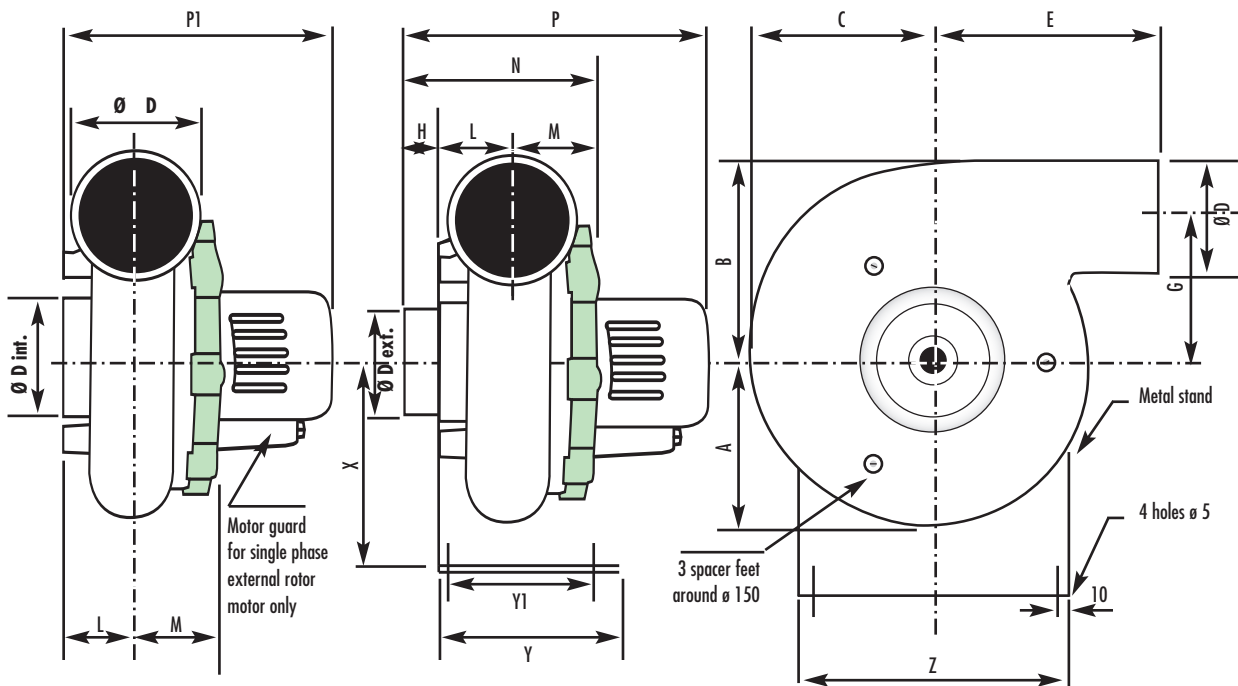


STORM 10



Sound level						
Type	RPM	500 Hz	1000 Hz	2500 Hz	LW Global dB	LW Global dB(A)
STORM 10	1400/4 poles	49,8	45	49,8	61,6	52,3
	2850/2 poles	66,9	65	60,3	80,8	69,7



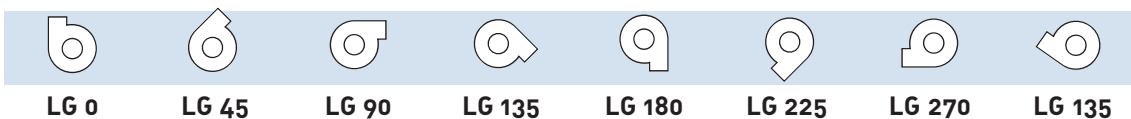
**Dimensional data (mm). Metal stand does not come standard with fan (see accessories pricing).
Motor frame size may vary upon type of motor used.**

A	B	C	Ø D	E	G	H	L	M	N	Y	Y ₁	Z	X
115	135	127	75	158	97	32	48	57	137	120	100	165	135

Motor type

	P ₁	P
Single phase, rotor exterior, IP20	173	205
ATEX	262	295
Three phase, IP55	253	285

Handings with IP55 motor type are viewed from inlet side - 45 degree adjustable



LG 0 and LG 90 are handings with IP20 motor type.