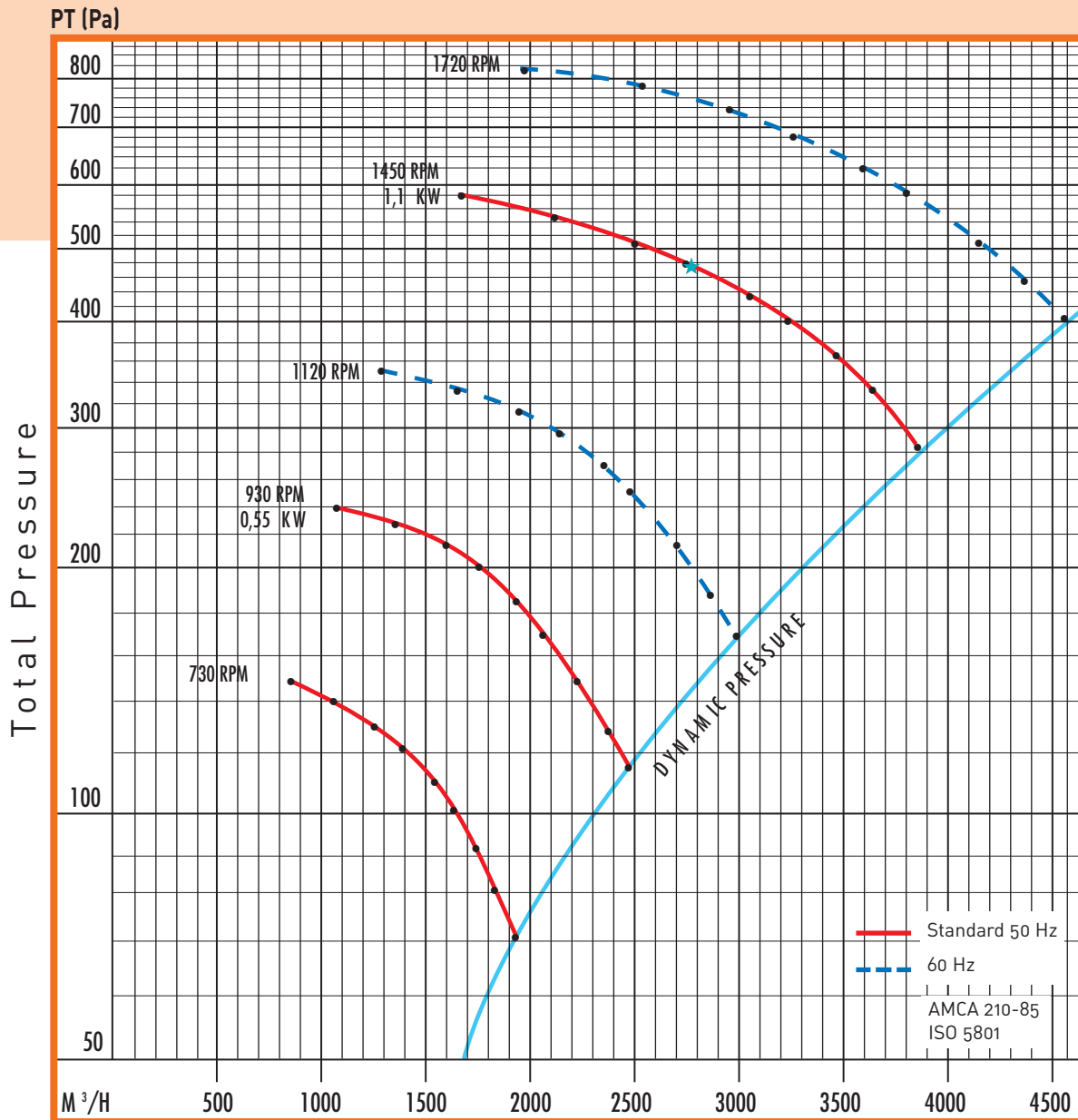


JET 30

JET Series

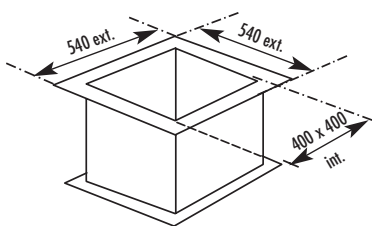
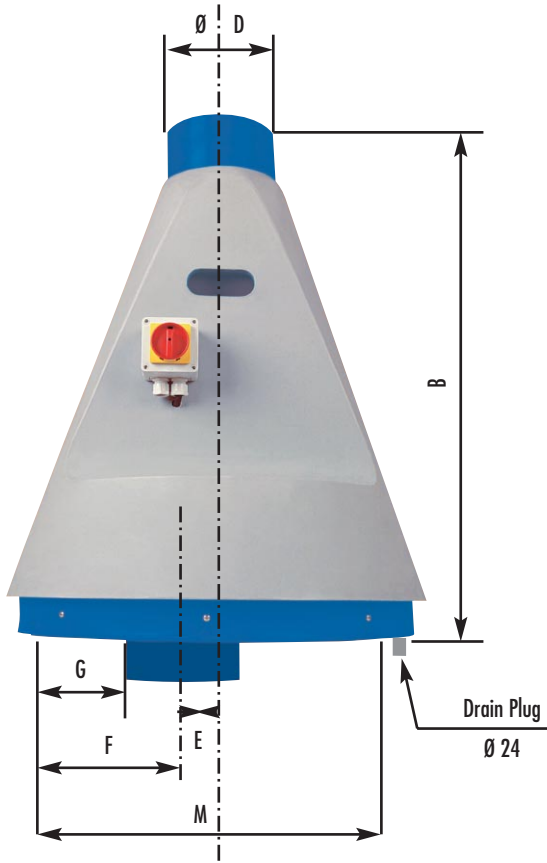


Free inlet/Free outlet
Noise level test type A.
Visit our website for details.

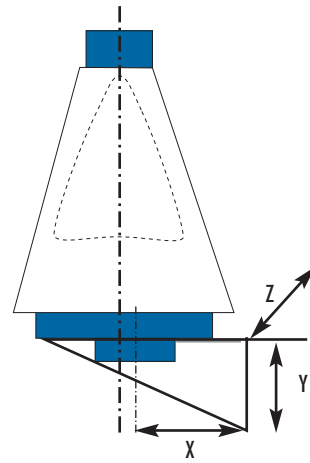
n (T/min) R.P.M.	LWA dB(A)
950	73,1
★ 1435	82,8



JET 30



Roof curb sizing for guidance only



Option:
Wall metal bracket

Dimensional data (mm)											
A	B	Ø D	E	F	G	H	G'	X	Y	Z	M
880	1040	250	70	200	75	70	130	400	400	600	540-540 in.