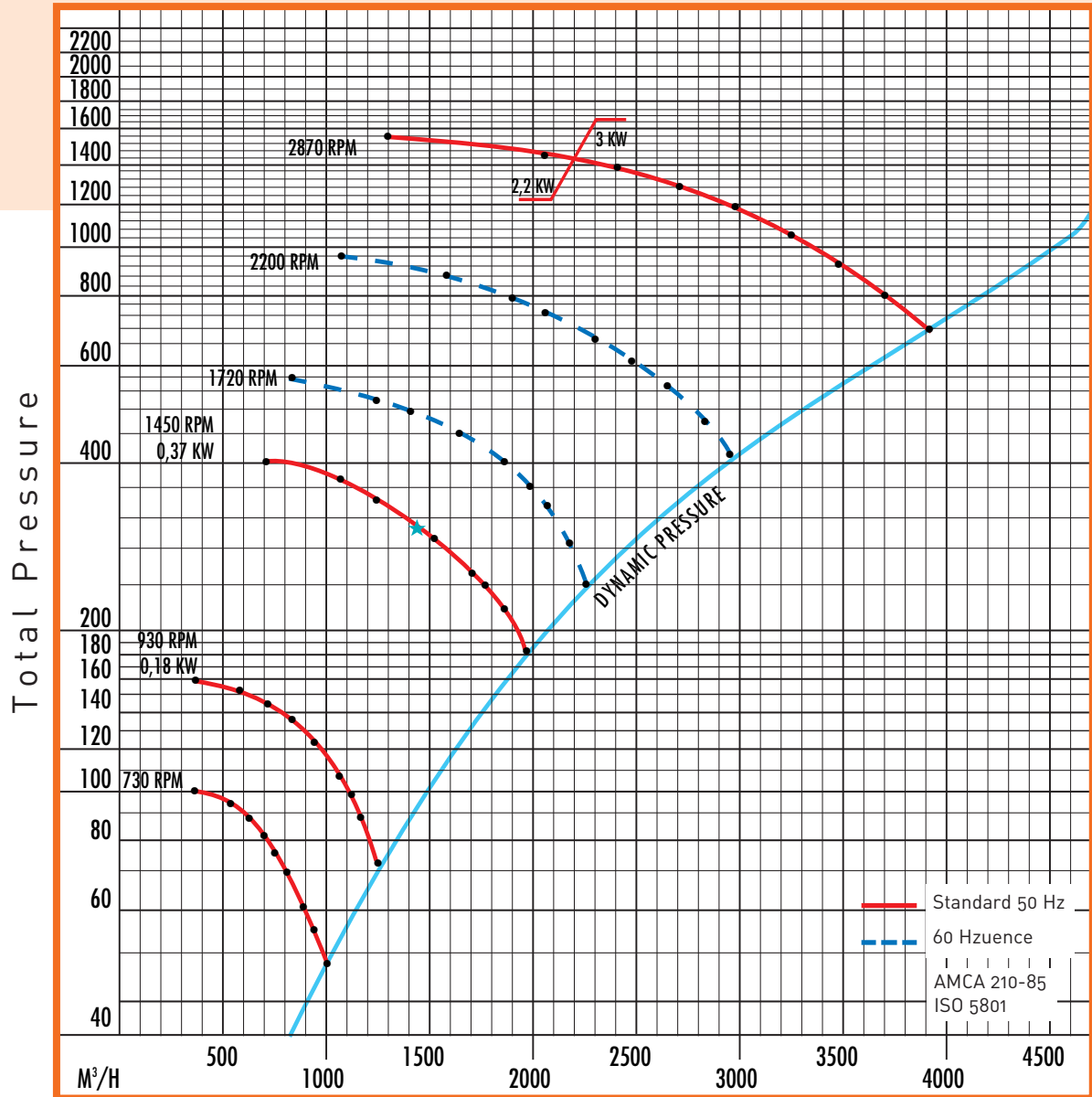


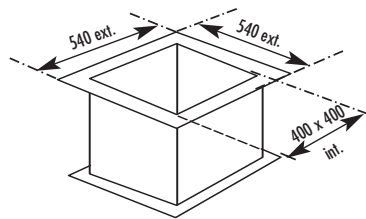
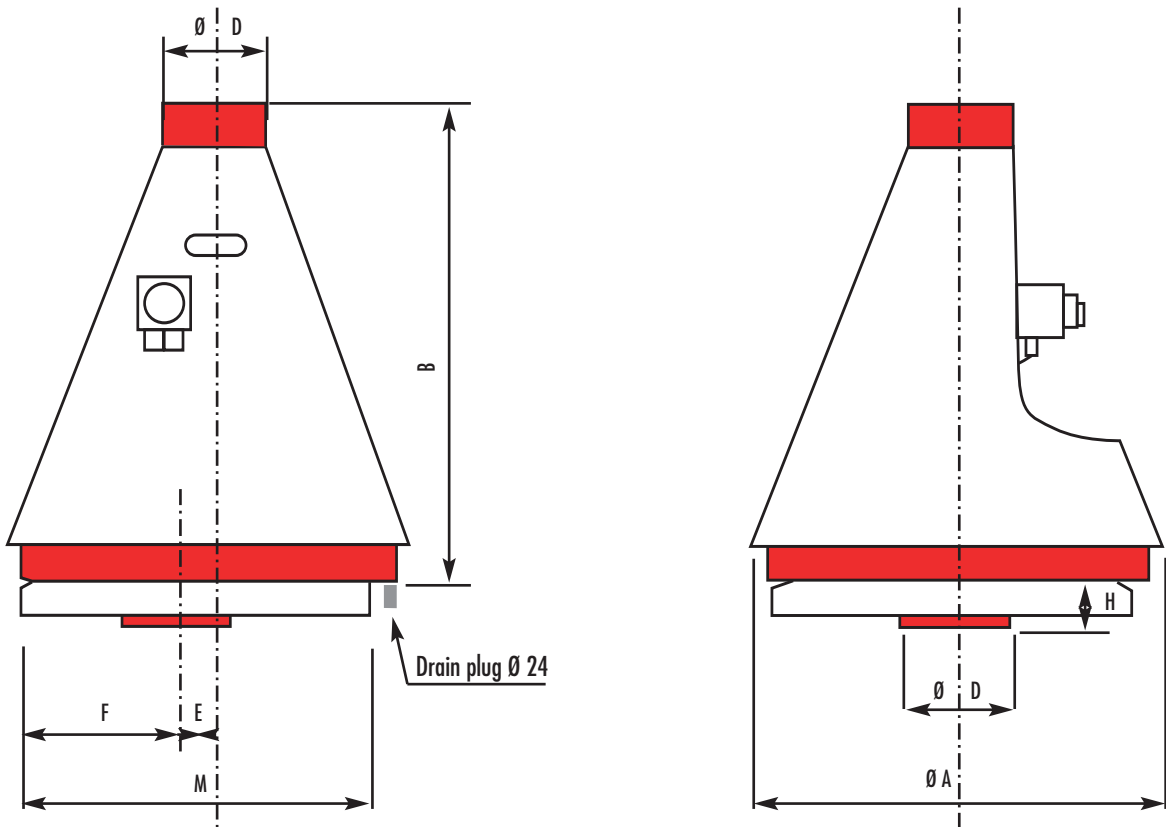
# JET 25

PT (Pa)

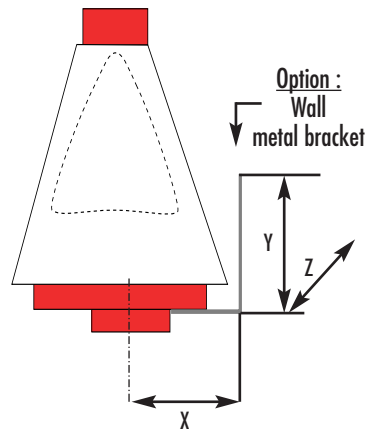
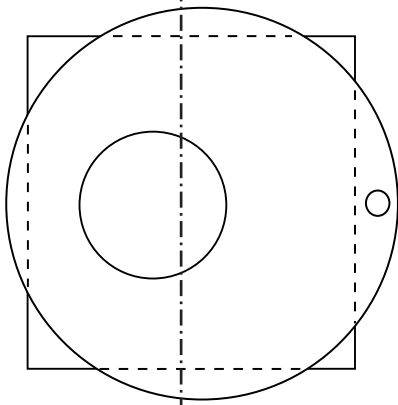


## Sound Level

Type	RPM	100 Hz	250 Hz	500 Hz	1000 Hz	2500 Hz	5000 Hz	10000 Hz	LW Global dB	LW Global dB(A)
JET 25	950/6 poles	63	64	63	61	55	56		70,3	65
	1450/4 poles	73	71	70	70	62	65	58	77,8	74,1
	2850/2 poles		85	83	82	82	74	77	89,7	87,9



Roof curb sizing for guidance only



Dimensional data (mm)										
A	B	Ø D	E	F	G	H	X	Y	Z	M
735	930	200	60	240	145	70	330	300	430	540-540 in.