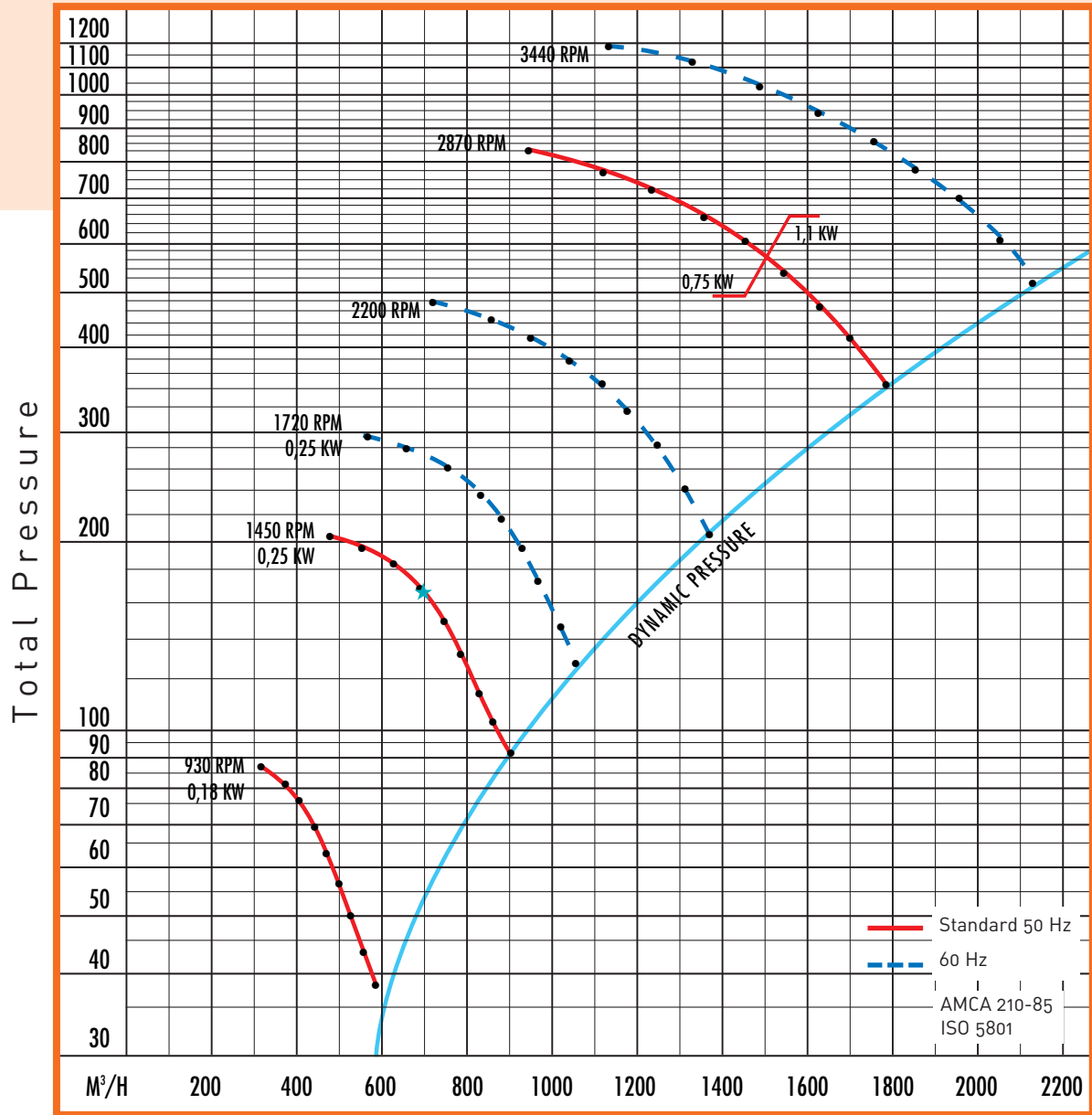


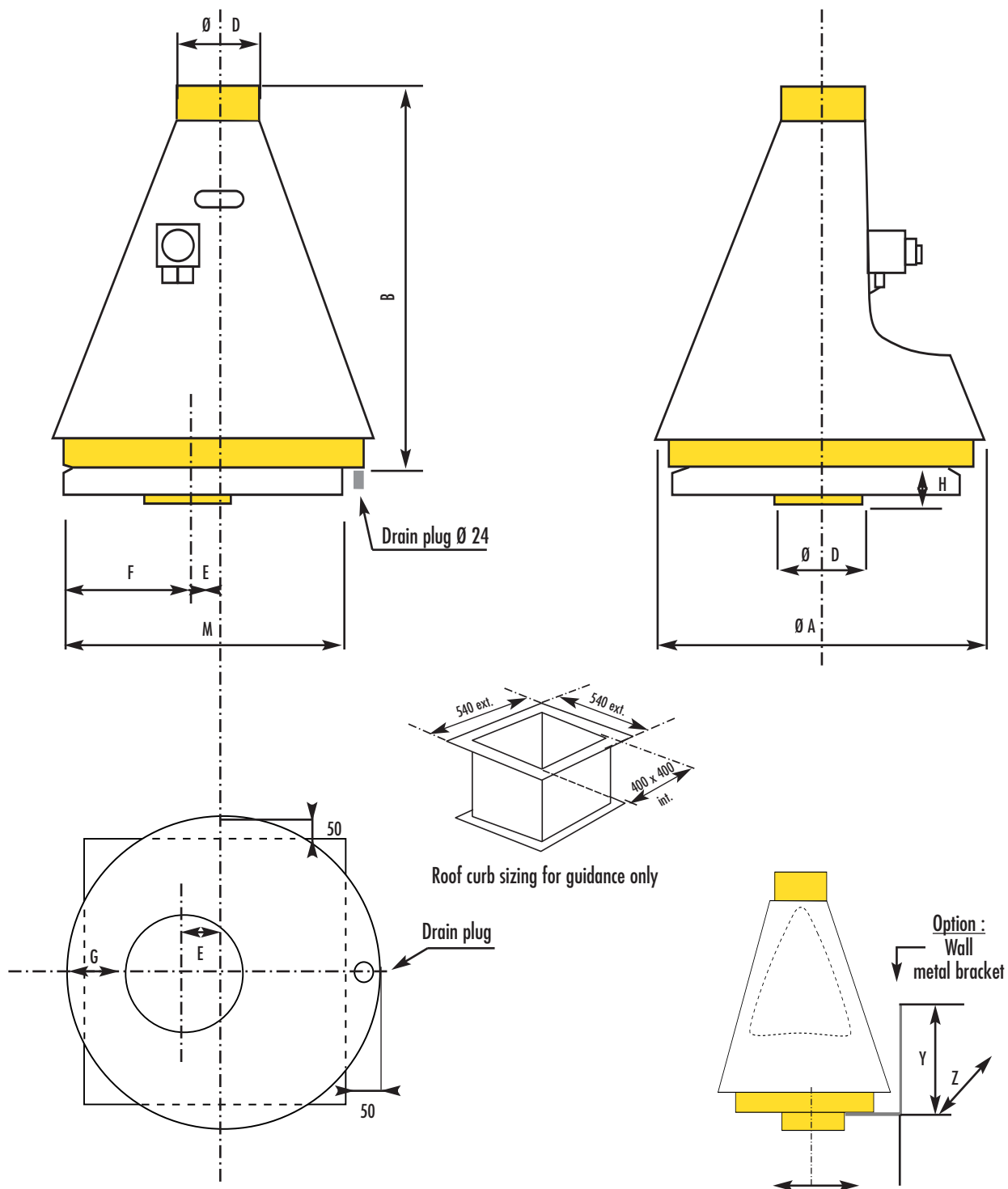
JET 20

PT (Pa)



Sound Level

Type	RPM	100 Hz	250 Hz	500 Hz	1000 Hz	2500 Hz	5000 Hz	10000 Hz	LW Global dB	LW Global dB(A)
JET 20	1450/4 poles	66	69	67	63	58	54	47	73,2	69,1
	2850/2 poles		78	81	79	75	69	66	85	83



Roof curb sizing for guidance only

Drain plug

Option :
Wall
metal bracket

Dimensional data (mm)

A	B	$\emptyset D$	E	F	G	H	X	Y	Z	M
600	800	160	50	250	160	70	280	300	400	540-540 in.